



# RESIDENTIAL MOLDED WOOD TOILET SEAT



MODEL #

COLOR #

**600E3**

## DESCRIPTION :

Closed front with cover, round, molded wood, multi-coat enamel finish toilet seat. Features two color-matched bumpers, color-matched Whisper•Close® with Easy•Clean & Change® adjustable hinges with STA-TITE® Seat Fastening System™. Hinges adjust up to 1/2" forwards and backwards.

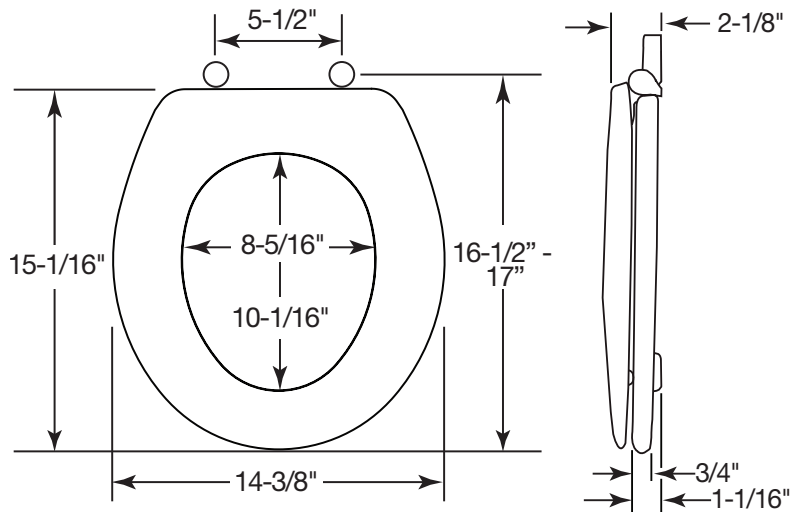
## SPECIFICATIONS :

|                   |   |
|-------------------|---|
| Size:             | Round   |
| Material:         | Molded Wood   |
| Style:            | Closed Front with Cover                                     |
| Bumpers:          | Two   |
| Hinges:           | Adjustable Plastic Whisper•Close® with Easy•Clean & Change® |
| Fastening System: | STA-TITE® Seat Fastening System™                            |

## FEATURES :

- Adjustable Hinges
- Easy•Clean & Change®
- Whisper•Close®
- STA-TITE® Seat Fastening System™

## DIMENSIONS :



1/2" ADJUSTABLE HINGES



PLASTIC WHISPER•CLOSE® WITH EASY•CLEAN & CHANGE® HINGES



LIFT HINGES TO UNLOCK



EASY REMOVAL OF SEAT FOR THOROUGH CLEANING



WHISPER•CLOSE® FEATURE



STA-TITE® SEAT FASTENING SYSTEM™

Proudly Made in the USA

Bemis Manufacturing Co., Sheboygan Falls, WI 53085  
www.ToiletSeats.com

Phone: 800-558-7651 Fax: 800-292-3647

©2014 0B7012359 REVA